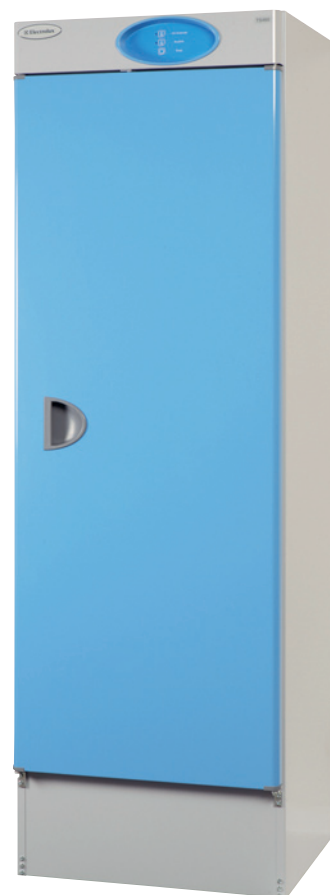


# Drying cabinet

## TS460

### Features

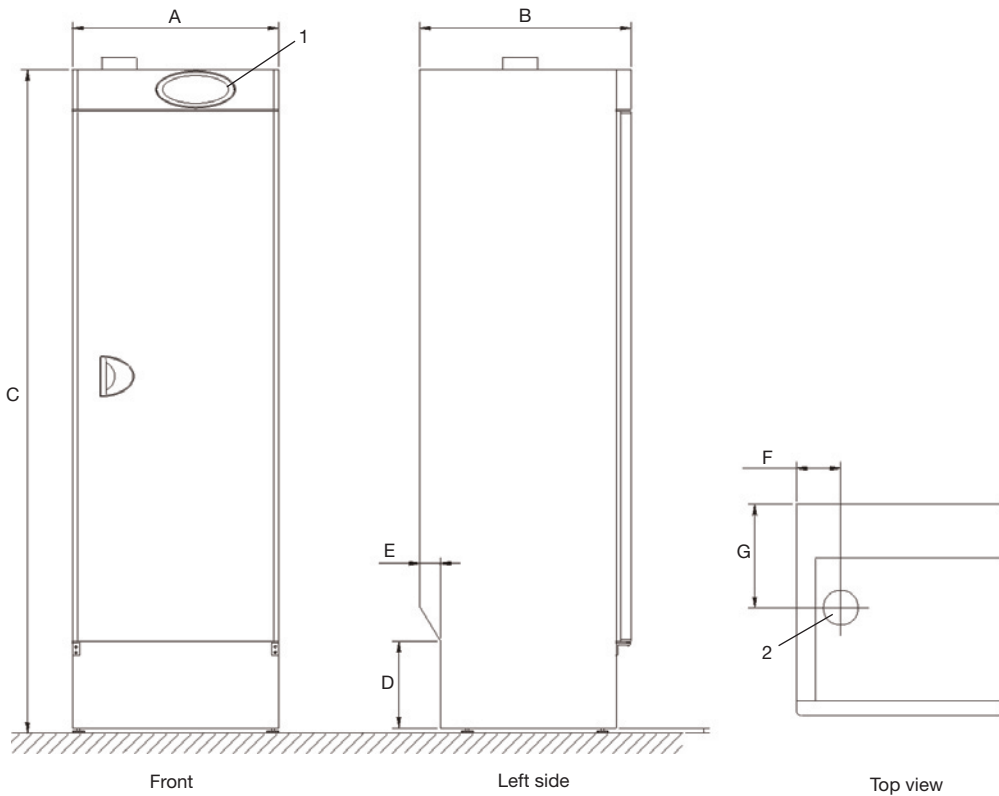
- 30 pull-out hangers
- Heating unit mounted at the top
- Magnetic door strip eliminates the risk of children being locked in the cabinet
- Adjustable feet
- Overheat protection
- Drying time setting 0-4 hours



Main specifications		TS460
Dewatering capacity*	g/min	17
Heating effect	kW	1.5
Energy consumption/kg laundry	kWh	0.6

\* 4 kg dry load at 55% residual moisture content can be dried in 2 hours.

Electrical connections		TS460
Voltage	230V 1AC 50 Hz	kW(A)
		1,5(10)
Connections		
Air outlet	∅ mm	100
Evacuated air	m <sup>3</sup> /h	50
Shipping data		
	net, kg	56
Dimensions in mm		
A	Width	595
B	Depth	610
C	Height	1915
D		250
E		60
F		130
G		300
1 Control panel		
2 Exhaust connection		



W00028

*Thinking of you*  
**Electrolux**

[www.electrolux.com/laundrysystems](http://www.electrolux.com/laundrysystems)

Share more of our thinking at [www.electrolux.com](http://www.electrolux.com)