

Industrial ironers

IC43316, IC43320



Features and benefits

- Easy to use control panel
- Ergonomic working height
- Finger guard protection providing additional security for operators
- Pressure roll with a Nomex® padding for a good ironing quality
- Durable ironing belts made of Nomex® which can withstand temperatures above 200°C
- Stainless steel cylinder prevents rust and improves lifetime
- Gas heated ironers using the maintenance free ceramic gas burner technology
- Return feed, can be installed close to a wall for space saving
- Foldable feeding tray so that large flats avoid touching the ground

Main options

- Electronic control panel with automatic speed regulation system (DIAMMS*) – compatible with the RABC** process for the traceability of ironing parameters; flashing light showing to the operator that an item is not processed according to the standard
- CMIS*** connection for an automatic recording of the ironing parameters
- Nickel-plated cylinder for better production on cotton items
- Manual folding arm for easy folding of large flat items by only one operator
- Payment system version with a clutch to control the feeding belts, for installation in apartment house laundries or self service laundries

Main specifications				IC43316	IC43320
Capacity, max. water evaporation****		l/h		19.5	24.5
Cylinder	diameter	mm		325	325
	length	mm		1650	2065
Ironing speed		m/min		0.5-5.5	0.5-5.5
Heating	electricity	kW		18	22.5
	gas	Btu/h (kW)		68240 (20)	85330 (25)

* Direct Ironer Advanced Moisture Management System

** Risk Analysis and Bio-contamination Control

*** Certus Management Information System

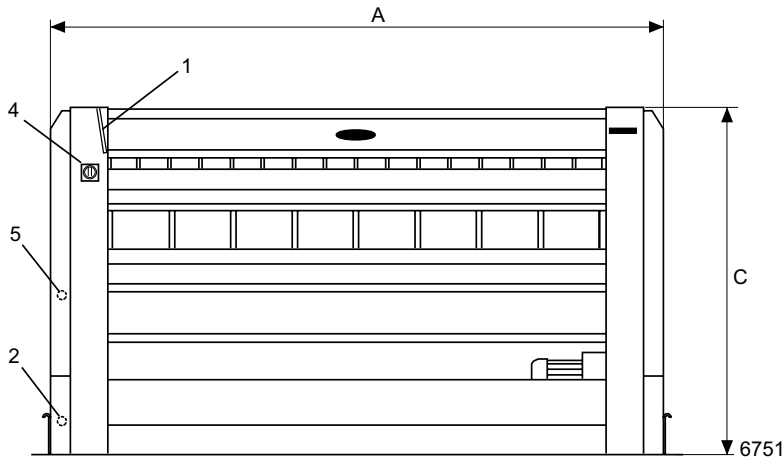
**** 50% residual moisture content cotton 190 gr/m² and 100% cylinder use (ISO 9398)

Electrical connections*			IC43316	IC43320
Heating	Voltage			
Electric	380-415V 3AC 50/60 Hz	kW(A)	18 (32)	22.5 (40)
Gas	220-240V 3AC 50/60 Hz	kW(A)	0.5 (12)	0.5 (12)
	380-415V 3AC 50/60 Hz	kW(A)	0.5 (12)	0.5 (12)
Gas and exhaust connections				
Gas		DN	20	20
Exhaust	outlet diameter	mm	125	125
	evacuated air	m ³ /h	426	515
Sound levels				
Airborne sound level		dB(A)	65	65
Heat emission				
% of installed power, max			2	2
Weight				
		net, kg	300	330
		crated, kg	445	480
		boxed, kg	475	520
Shipping volume		m ³	2.7	3.2
Dimensions in mm				
A	Width		2030	2445
B	Depth		690	690
C	Height		1145	1145
D	Gas connection height		430	430
1	Control panel	4	Main switch	
2	Electrical connection	5	Gas connection	
3	Exhaust connection			

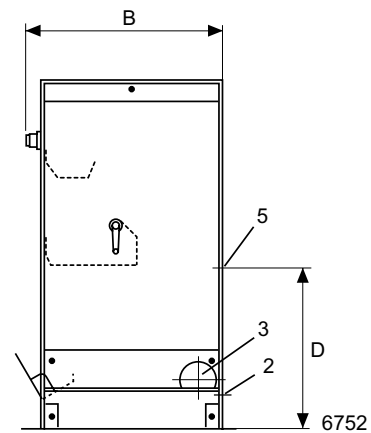
* Other voltages available, see installation manual.



- Manual folding arm for easy folding of large flat items by only one operator



Front view



Right side view