

Washer extractor

W4330S

Features and benefits

- Frequency-controlled motor ensures flexibility in wash and extraction action
- Good dewatering ability due to higher G-force compared with a traditional solid mount machine
- Solid mount construction with robust frame in galvanized steel
- Available with two types of program controls:
 - Compass Control® with:**
 - Large display and one dial for easy program selection
 - Language selection
 - Two Quick Start buttons for frequently used wash programs
 - Wash program packages optimized on *Economy*, *Performance* and *Time*
 - Clarus Control® with:**
 - Fully programmable microprocessor
 - All relevant wash parameters can be programmed
 - Programming from key pad or downloading via memory card
- AWS – Automatic Weighing System with Compass Control – determine the wash load and adopt the water intake accordingly. Savings on water and energy if machine is not fully loaded
- Extremely low water and energy consumption – see table below
- Four compartment soap box for manual dosing of powder or liquid detergent
- Large door opening for easy loading/unloading
- Stainless and galvanized steel in all vital parts for high degree of rust protection
- SuperBalance™ guarantees the correct extraction force



Compass Control



Clarus Control

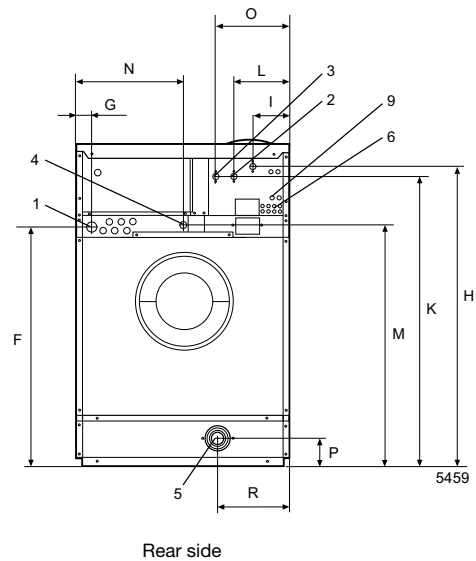
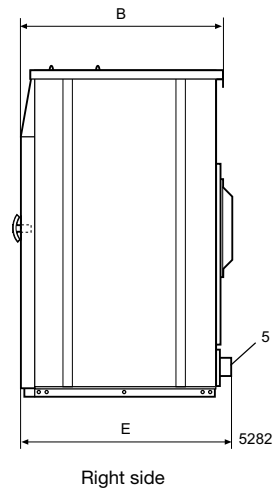
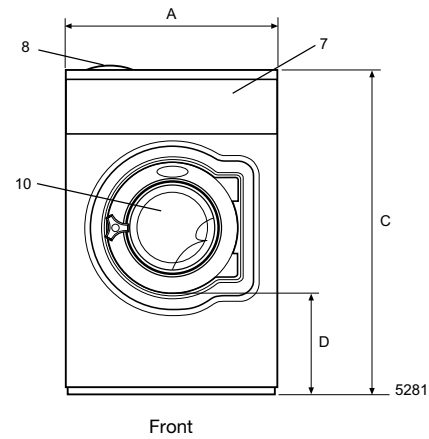
Main options

- Automatic liquid detergent supply (optional I/O board for Compass Control)
- Stainless steel front panel
- Stainless steel side panel (only with Clarus Control)
- Dual drain valves for water re-use (Clarus Control)

Main specifications				W4330S	
Max. capacity		kg/lb		35/75	
Drum, volume		litre		330	
	diameter	ø mm		795	
Extraction		rpm		671	
G-factor				200	
Heating alternatives, 230/400V	electricity	kW		19.7	
	steam			x	
	non-heated			x	
Consumption data "Normal 60°C" * (3G01)				El	Steam
Total time		min	50		**
Water consumption (cold/hot)		litre	234/62		234/62
Energy consumption (motor/heating)		kWh	0.4/1.6		0.4
Steam consumption		kg	-		2.4

* Water temperature 15°C cold water and 65°C hot water.
 ** Depending on steam pressure.

Electrical connections*		W4330S	
Heating	Voltage		
El.	230V 3 AC 50 Hz	kW(A)	19.7(63)
	208-240V 3AC 60 Hz	kW(A)	21.2(63)
	400-415V 3N AC 50 Hz	kW(A)	19.7(35)
Steam	230V 1AC 60 Hz	kW(A)	1.5(10)
	208-240V 1AC 60 Hz	kW(A)	1.5(10)
	non-heated 230V 1AC 50Hz	kW(A)	1.5(10)
Water and steam connection			
Water valves	DN		20
Water pressure	kPa		150-400
Capacity at 300 kPa	l/min		60
Drain valve	Ømm		75
Draining capacity	l/min		170
Steam valve	DN		15
Steam pressure	kPa		300-600
Liquid detergent supplies			5
Floor requirements			
Frequency of the dynamic force	Hz		9.4
Max floor load at extraction	kN		4.2 ± 8.8
Sound levels			
Sound pressure level**	dB(A)		70
Sound power level (IEC 60704-2-4)	dB(A)		77
Heat emission			
% of installed power, max			5
Shipping data			
Shipping volume	net, kg		298
	crated, kg		318
	m ³		1.82
Accessories			
Hose kits for water or steam			x
Dimensions in mm			
A	Width		910
B	Depth		1040
C	Height		1445
D			500
E			1075
F			1155
G			45
H			1365
I			170
K			1325
L			255
M			1155
N			280
O			335
P			145
R			180
1	Electrical connections	6	Liquid supply connections
2	Cold water	7	Control panel
3	Hot water	8	Soap box
4	Steam connection	9	Connections for water re-use
5	Drain	10	Door opening ø435



Front and side panels in light grey with "Blue Wave" on front panel (RAL 260 70 05, 250 60 30)

* Other voltages available, see installation manual

** Approx. value at operators position in a mid-size laundry room