

# Laundry Press - Manually Operated

## FPM-WC



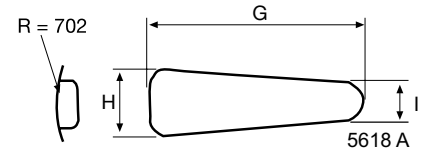
### Features and benefits

- High temperature polished head dries the fabric and gives it a flat finish
- High pressure achieves an excellent finish
- Adjustable pressure regulator for pressing different fabrics
- Padded buck reduces impressions
- Buck/bottom steam for heavy creases and for applying moisture
- Buck vacuum cools fabric and holds it in place

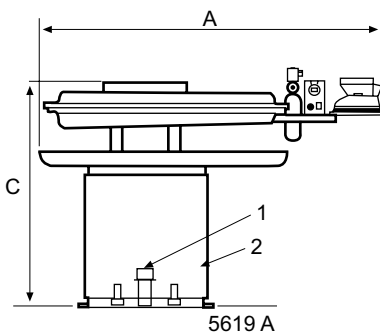
### Main options

- Features that simplify the installation
  - Integral vacuum fan
  - Integral 10, 12, 15 or 18 kW boiler
- All steam iron for safe operation
- Electric steam iron

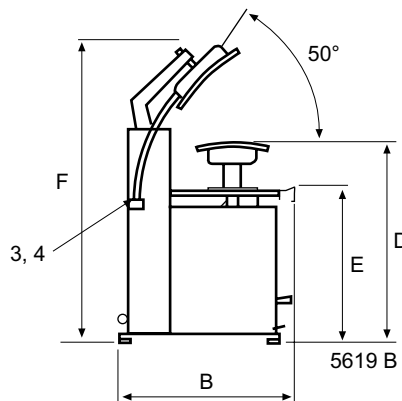
Electrical connections	Standard	Optional		
		Built-in boiler	Built-in vacuum	Electric Steam iron
Voltage 208-240V 1 AC 50/60 Hz	kW alt. 10			0.25
Voltage, built-in boiler				
208-240V 3 AC 50/60 Hz	alt. 10kW	-	10	-
230V 3 AC 50/60 Hz	12kW	-	12	-
380-400V 3 AC 50 Hz	15kW	-	15	-
	18kW	-	18	-
<b>Steam, air and vacuum connection</b>				
Steam	DN	15	-	15
Rec. steam pressure	kPa	500	-	500
Steam consumption	kg/h	20	-	20
Condensate	DN	15	-	15
Central vacuum	mm	Ø100	Ø100	-
Vacuum air consumption	m³/h	400	400	-
Vacuum depression	mm H <sub>2</sub> O	250	250	-
<b>Weight (with boiler)</b>				
	net, kg	226	320	
	crated, kg	294	370	
	boxed, kg	344	425	
<b>Dimensions in mm</b>				
<b>A</b> Width		1470	1470	1470
<b>B</b> Depth		1135	1135	1135
<b>C</b> Height		1270	1270	1270
<b>D</b>		1030	1030	1030
<b>E</b>		800	800	800
<b>F</b>		1600	1600	1600
<b>G</b>		1190	1190	1190
<b>H</b>		370	370	370
<b>I</b>		230	230	230
<ol style="list-style-type: none"> <li>1 Close pedal</li> <li>2 Electrical connection - iron, vacuum, boiler only</li> <li>3 Steam connection</li> <li>4 Condensate</li> <li>5 Water supply - internal boiler only</li> <li>6 Boiler drain - internal boiler only</li> <li>7 Vacuum outlet - internal boiler only</li> </ol>				



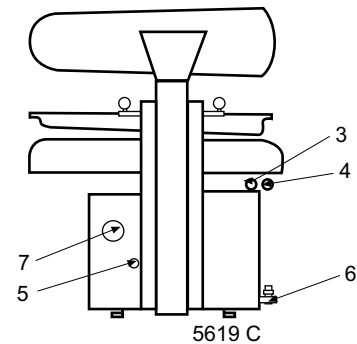
Utility shape  
FPM-WC



Front



Left side



Rear side