

Utility Dry Work Press – Air operated

FPA1-D



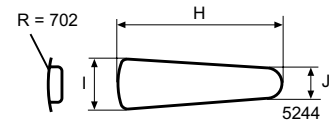
Features and benefits

- Even distribution of steam, from head and buck moistens the fabric to remove creases
- Adjustable pressure regulator for pressing different fabrics
- Buck vacuum holds fabric in place and dries after pressing
- Air operated, reduces operator fatigue
- Safety two button closing improves operator safety
- Padded head avoids glazing the fabric
- Padded buck reduces impressions

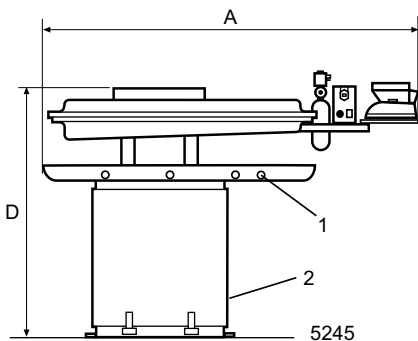
Main options

- Integral features that simplify the installation
 - Integral steam boiler – 10, 12, 15 or 18 kW
 - Integral vacuum fan
 - Integral air compressor
- All steam iron for safe operation
- Electric steam iron
- Safety head guard (CE) improves operator safety
- Steam or steam/air gun for removal of spots
- Spotting arm eases removal of spots
- Teflon coated head plate for long life

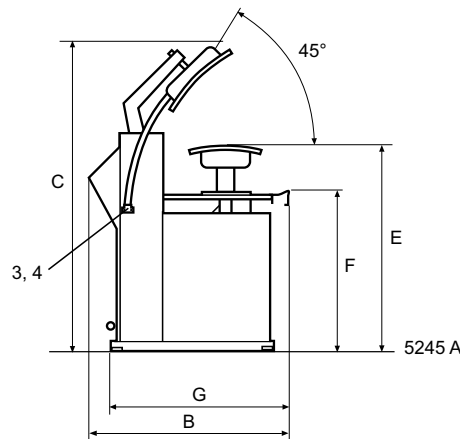
| Electrical connections | Standard | Optional | | | | |
|--|---------------------|-----------------|-----------------|--------------------|---------------------|------|
| | | Built-in boiler | Built-in vacuum | Built-in air comp. | Electric steam iron | |
| Voltage, standard | | | | | | |
| 208-240V 1 AC 50/60 Hz | kW | - | - | 0.4 | 0.55 | 0.8 |
| Voltage, built-in boiler | | | | | | |
| 208-240V 3 AC 50/60 Hz | alt. 10 kW | - | 10 | - | - | - |
| 230V 3 AC 50/60 Hz | 12 kW | - | 12 | - | - | - |
| 380-400V 3 AC 50 Hz | 15 kW | - | 15 | - | - | - |
| | 18 kW | - | 18 | - | - | - |
| Steam, air and vacuum connection | | | | | | |
| Steam | DN | 15 | - | 15 | 15 | 15 |
| Rec. steam pressure | kPa | 500 | - | 500 | 500 | 500 |
| Steam consumption | kg/h | 20 | - | 20 | 20 | 20 |
| Condensate | DN | 15 | - | 15 | 15 | 15 |
| Compressed air | DN | 10 | 10 | 10 | - | 10 |
| Rec. air pressure | kPa | 700 | 700 | 700 | - | 700 |
| Air consumption | l/min | 60 | - | - | - | - |
| Central vacuum | mm | Ø100 | Ø100 | - | Ø100 | Ø100 |
| Vacuum air consumption | m ³ /h | 400 | 400 | - | 400 | 400 |
| Vacuum depression | mm H ₂ O | 250 | 250 | - | 250 | 250 |
| Vacuum outlet | mm | - | - | Ø100 | - | - |
| Shipping data | | | | | | |
| | net, kg | 226 | 320 | | | |
| | crated, kg | 294 | 370 | | | |
| | boxed, kg | 344 | 425 | | | |
| Dimensions in mm | | | | | | |
| A Width | | 1450 | 1450 | 1450 | 1450 | 1450 |
| B Depth | | 1100 | 1100 | 1100 | 1100 | 1100 |
| C Height | | 1450 | 1450 | 1450 | 1450 | 1450 |
| D | | 1250 | 1250 | 1250 | 1250 | 1250 |
| E | | 1030 | 1030 | 1030 | 1030 | 1030 |
| F | | 800 | 800 | 800 | 800 | 800 |
| G | | 920 | 920 | 920 | 920 | 920 |
| H | | 1190 | 1190 | 1190 | 1190 | 1190 |
| I | | 370 | 370 | 370 | 370 | 370 |
| J | | 230 | 230 | 230 | 230 | 230 |
| 1 Control panel | | | | | | |
| 2 Electrical connection | | | | | | |
| 3 Steam connection | | | | | | |
| 4 Condensate | | | | | | |
| 5 Air connection | | | | | | |
| 6 Water supply – built-in boiler only | | | | | | |
| 7 Boiler drain – built-in boiler only | | | | | | |
| 8 Vacuum outlet | | | | | | |



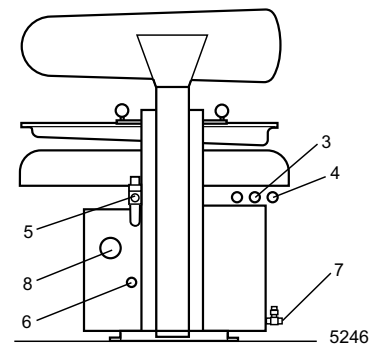
Utility shape



Front



Left side



Rear side